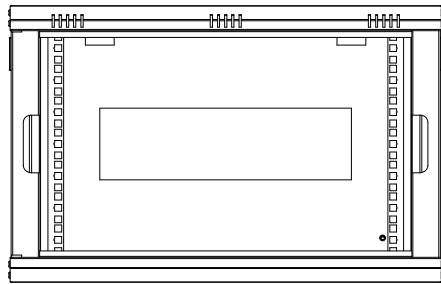


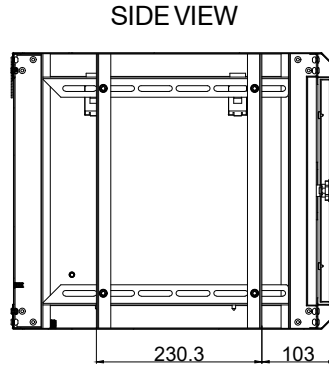
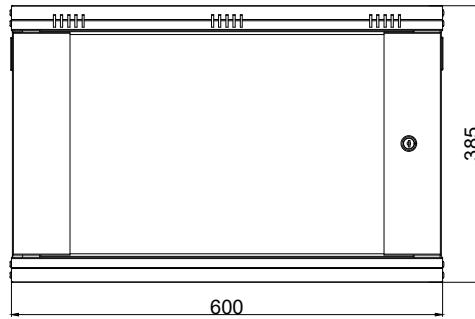


DN-19 07-U-EC (4016032221692)  
 DN-19 07-U-EC-SW (4016032257783)  
 DN-19 07U-6/6-EC (4016032221739)  
 DN-19 07U-6/6-EC-SW (4016032257790)  
 DN-19 09-U-EC (4016032221708)  
 DN-19 09-U-EC-SW (4016032257813)  
 DN-19 09U-6/6-EC (4016032221746)  
 DN-19 09U-6/6-EC-SW (4016032257806)

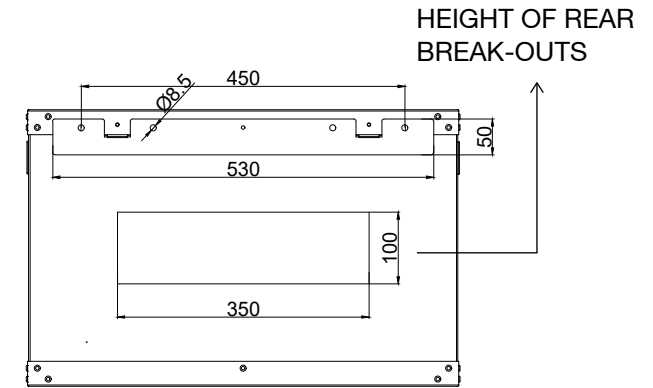
DN-19 12-U-EC (4016032221715)  
 DN-19 12-U-EC-SW (4016032257837)  
 DN-19 12U-6/6-EC (4016032221753)  
 DN-19 12U-6/6-EC-SW (4016032257820)  
 DN-19 16-U-EC (4016032221722)  
 DN-19 16-U-EC-SW (4016032257844)  
 DN-19 16U-6/6-EC (4016032221760)  
 DN-19 16U-6/6-EC-SW (4016032257875)



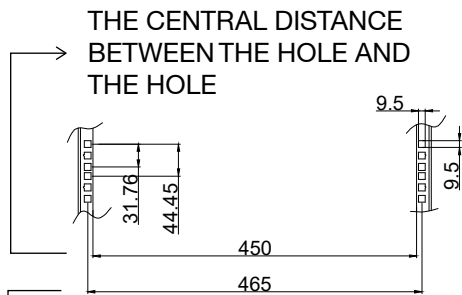
WIDTH OF WALL CABINET



DEPTH OF WALL CABINET

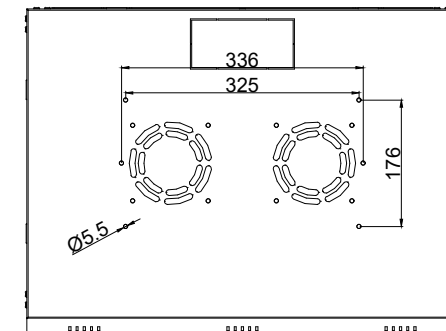
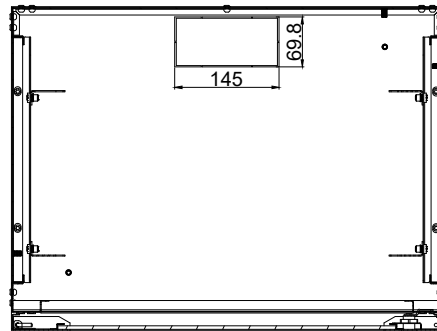


WIDTH OF HANGING HOLE



THE CENTRAL DISTANCE BETWEEN THE HOLE AND THE HOLE

PROFILE RAIL MOUNTING DIMENSIONS



VENTILATION SLOT TYPE AND SIZES

7U-HEIGHT: 385 MM  
 9U-HEIGHT: 474 MM  
 12U-HEIGHT: 607 MM  
 THICKNESS: 1.2 - 1.5 MM